



*Setting Innovative
Standards*

M PUMPS SRL
Via dell'artigianato, 120
45015 Corbola (RO) – Italia
Tel. +39 0426 346304 Fax + 39 0426 349126
info@mpumps.it

MAGNETIC DRIVE PUMPS

Centrifugal, Horizontal, Partial Emission

According to API610/ISO13709

ISO 2858 - 5199

- **CPE SEAL-M series**

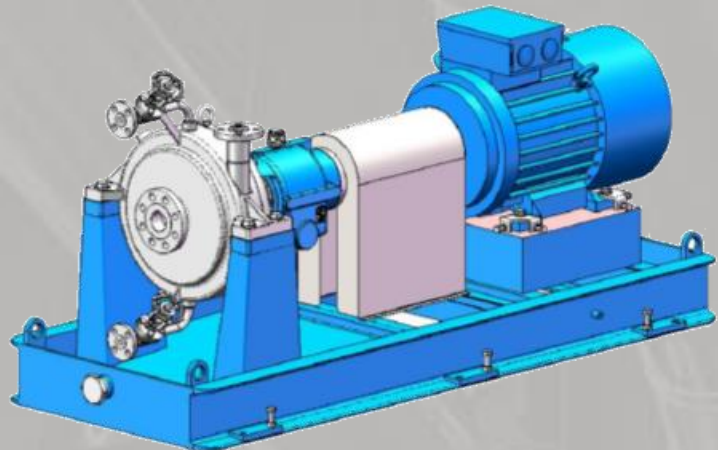
User Manual

*This copy of the manual is a translation of the italian version
and both manuals must be always furnished together*

MODEL: pump and bare frame



MODEL: pump and bare frame with electrical motor



CAUTION

These instructions are intended for operators:

- Pump installation by qualified personnel;
- Use the pump, by staff
- Carry out maintenance / repair of the pump.



The purpose of this document is to instruct to a responsible use on installation, operation and maintenance of pumps series CPE SEAL-M.

Please read it carefully before any activity pertaining to the pump it was provided for.

The instructions in this manual are only valid for pumps it was provided for, and not for the facility in which the pumps will be installed.

For a proper use of the system please refer to the instructions the manufacturer himself provided.

In any case the instructions of the system have a greater value than those related to the pumps.

For further information please contact M PUMPS , useful information for a correct installation can also be found at - Hydraulic Institute Standards (USA).

Index

1. GENERAL AND SAFETY WARNINGS	4
2. ICONS USED IN THE MANUAL	4
3. WARRANTY	5
4. IDENTIFICATION NAMEPLATE	6
5. DESCRIPTION OF THE PUMP	8
Applications	8
6. TECHNICAL SPECIFICATIONS	8
7. PERMISSIBLE LOADS ON FLANGES	9
8. CL SEAL-M OPERATING LIMITS AND PERFORMANCE	9
9. OVERALL DIMENSIONS	12
10. NOISE EMISSIONS AND VIBRATIONS	13
11. IONIZING RADIATION	13
12. CHECKING UPON PUMP DELIVERY, STORAGE	13
13. TRANSPORT AND HANDLING	13
14. ASSEMBLY, INSTALLATION, CONNECTIONS, COMMISSIONING AND ADJUSTMENTS	14
Assembly	14
Connection of suction and feeding pump	14
Electric connections	15
Checks for proper operation	15
Commissioning and training of staff	15
Self-priming and not self-priming pumps	16
Coupling of the pump to the motor	16
Features and installation of the electric pump unit coming already assembled	16
Alignment of the coupling	17
Alignment and coupling tolerances	17
15. INTENDED USE OF THE PUMP. INCORRECT USE. OPERATION DESCRIPTION. PERSONAL PROTECTIVE EQUIPMENT DURING USE	17
Intended use of the machine	17
Instructions for reasonably foreseeable proper use	17
Unintended use	18
16. RESIDUAL RISKS AND PROTECTIVE MEASURES TO BE TAKEN	18
Descriptions of remaining residual risks	18
Protective measures to be taken by the user and instructions	18
Personal Protection Equipment to be worn	19
17. OPERATING LIMITS, RESIDUAL RISKS STILL REMAINING DESPITE THE SAFETY MEASURES TAKEN	19
Safety instructions mounted on the pump	19
18. INSTRUCTIONS AND PROCEDURES FOR TRAINING OF STAFF AND FOR EMERGENCY SITUATIONS	20
Reset method	20
Fire-fighting equipment to be used:	20
Emission/Dispersion of harmful substances:	21
19. MALFUNCTIONING, FAILURE, FAULT, ACCIDENT. MOST FREQUENT PROBLEMS: CAUSES AND REMEDIES	21
Malfunction	21
Failure	21
Failure	21
Injury	21
The most frequent problems: problems, causes, remedies, residual risks	21
20. ROUTINE AND UNSCHEDULED MAINTENANCE	24
Cleaning the components and magnet	24
Preventive periodic maintenance	24
Shut-down and emptying of the fluid in the pump	26
Draining the oil contained in the pump	26
Unscheduled maintenance	26
21. REPAIR AND SPARE PARTS	26
Disassembly of the pump	26
Disassembly of the pump	27
Re-assembly of the pump	27
22. DECOMMISSIONING, SCRAPPING AND DISPOSAL OF MATERIALS	27
Decommissioning	27
Scrapping and disposal	27
23. EXPLODED DRAWING OF THE PUMP - LIST OF COMPONENTS	28
24. Notes	288
25. APPENDIX A - Register of maintenance and periodic checks of the pump	29

1. GENERAL AND SAFETY WARNINGS

This manual has been prepared by *M PUMPS* to provide the purchaser of the pump all the information necessary for its proper use and regular maintenance. Part of this manual is also the booklet of the electric motor when the pump is supplied fitted with it.

For the purposes of safety and hygiene in the workplace, and to ensure a proper and durable use of the pump, the manual must be kept close to the device for any consultation.

As an integral part of the pump, this manual must always accompany it.

For any data that is not included or not inferable from this manual please contact *M PUMPS*.

Do not use the pump before you have read and assimilated all safety rules and instructions in this manual.

In case of damage or loss of the manual, immediately ask for a copy to *M PUMPS* ..

Failure to comply with the instructions contained in this manual exempts *M PUMPS* from any liability. The pump and these instructions are intended for operators who make professional use and must be followed by qualified staff adequately trained, aware of the use, operation and the risks that the pump generates during its use; the experienced user has the best qualification possible.

M PUMPS reserves the right to make at any time changes deemed necessary to the improvement of the pump, taking care to update this manual as soon as possible. This reflects the State of the art at the time of marketing of the pump. In the event of ownership transfer of the pump, the user is invited to report to *M PUMPS* the address of the new owner in order to facilitate the transmission of any additions to the manual to the new user.

M PUMPS reserves all rights in this manual, any total or partial reproduction is allowed without written permission.

2. ICONS USED IN THE MANUAL

In the course of the document, to indicate the risk of manoeuvres or possible dangerous situations, safety signs were posted, each showing a symbol followed by a written warning.

ELECTRIC DANGER



Electrical parts This symbol indicates safety instructions for live parts, electrical contacts, etc., where non-compliance can result in serious risk to the safety of people.

DANGER OF LEAKAGES



Danger of leakages from the pump. This symbol indicates safety information for threaded or flanged connections to the pump, where the incorrect execution may result in serious risk to the safety of people.

CUT DANGER



Cut danger. This symbol indicates the safety precautions for the protection of moving parts, where non-compliance can result in serious risk to the safety of people.



Potentially explosive area. This symbol indicates the marking of explosive atmospheres, according to directive ATEX 94/9/EC. It is used to indicate important safety instructions, whose non-observance can result in a risk of explosion.

DANGER



Indicates a potentially hazardous situation for operators who are using the pump and / or the integrity of the pump itself, which could result in damage to the pump itself and / or serious injury to the persons concerned.

WARNING



Draws attention to important details that staff must know and keep in mind for the proper use and operation of the pump.

PROHIBITION



Draws attention to operations that are absolutely prohibited; non-compliance with the prohibition may damage the pump and injury to the pump and/or operators.
M PUMPS declines liability for any damage to persons and/or properties for failing to comply with the prohibitions set out.

3. WARRANTY

It is valid for one year from the date of sale of the pump. *M PUMPS* assumes no liability for any warranty, express and/or implied, nor with regard to the possibility of sale, nor to the suitability of the products supplied.

The warranty shall not apply in the following cases:



- The repair and/or maintenance was not carried out in strict accordance with the instructions given;
- The pump is not installed and put into service according to the instructions, in this regard, please refer to the start-up procedure described in this Manual;
- Necessary repairs have not been carried out by *M PUMPS* staff or were made without consulting *M PUMPS* ;
- Non-original spare parts were used;
- Lubricants other than those recommended were used;
- The parts supplied were not used in accordance with their nature and/or destination;
- The parts supplied are used carelessly, negligently, improperly;
- The parts delivered were damaged due to external circumstances.

All parts subject to wear and tear are excluded from warranty.


4. IDENTIFICATION NAMEPLATE

The pump for installation in ordinary environments has the identification label placed on the side of the support as shown in the figure: only the fields filled in are to be considered as relevant and therefore should be deemed valid for identification.

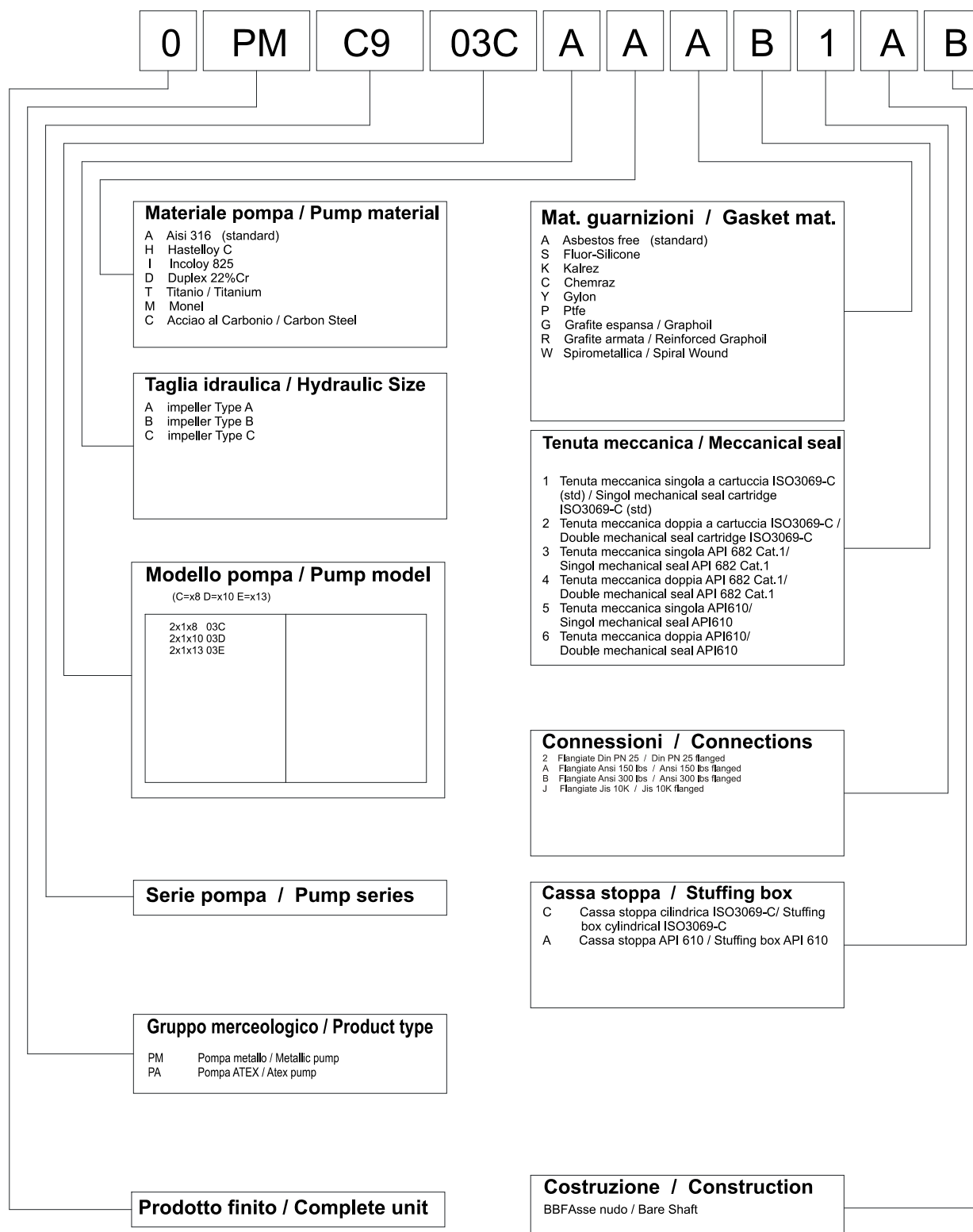
-PUMP SUPPLIED WITH ELECTRIC MOTOR:

		M PUMPS s.r.l. Via dell'Artigianato, 120 - 45015 Corbola (RO) - Italy - Tel. +39 0426 346304 www.mpumps.it		
		PUMP: <input type="text"/>		
		MOD.: <input type="text"/>		
		S.Nr: <input type="text"/>		
Q [m³/h]:	<input type="text"/>	H [m]:	<input type="text"/>	
n [1/min]:	<input type="text"/>	P [kW]:	<input type="text"/>	
ITEM.:	<input type="text"/>	∅ <input type="text"/>	Year: <input type="text"/>	

-PUMP SUPPLIED WITHOUT ELECTRIC MOTOR:

		M PUMPS s.r.l. Via dell'Artigianato, 120 - 45015 Corbola (RO) - Italy - Tel. +39 0426 346304 www.mpumps.it	
		PUMP: <input type="text"/>	
		MOD.: <input type="text"/>	
		S.Nr: <input type="text"/>	
Q [m³/h]:	<input type="text"/>	H [m]:	<input type="text"/>
n [1/min]:	<input type="text"/>	P [kW]:	<input type="text"/>
ITEM.:	<input type="text"/>	∅ <input type="text"/>	Year: <input type="text"/>

The serial number of the pump, (s.No.), defines the type of components installed on the pump:



This configuration for complete unit only

5. DESCRIPTION OF THE PUMP

The pumps of the CPE SEAL-M consist of a movable part: the IMPELLER, which performs rotary motion at high speed and fixed components: PUMP BODY (REQUIRED), SEALS, BEARINGS.

The **impeller** consists of a disc on which are the blades which form divergent ducts divergent and is keyed on a shaft mounted on two rolling bearings.

The pump to lift the fluid must be **primed**, that is, both the suction duct, and the body of the pump must always be full of liquid. This can be obtained by placing at the top of the suction duct FOOT VALVE (or NON-RETURN valve), which allows the liquid to pass only in one direction and precisely from the tank to the suction pipe.

Applications

- In general, this pump model is ideal for clean liquids, slightly contaminated;
- the maximum operating pressure of the system, the permissible temperature and the maximum rotation speed depend on the type of pump and are specified in the paragraph on "TECHNICAL DATA".

Other uses are not permitted, as they must comply with the conditions of use specified in paragraph on "TECHNICAL DATA": the use of a pump in a system or with fluid conditions other than those the pump was designed for, can give rise to dangerous situations for the user.

6. TECHNICAL SPECIFICATIONS

The pumps described in this manual have the following features:

Available with bare shaft or monoblock configuration, with the engine directly keyed to the pump support.

CPE SEAL-M

- Connections: Flanged DIN PN25, ANSI B 16.5 300lbs, ANSI B 16.5 150lbs;
- Maximum viscosity: 200 cps;
- Maximum operating pressure: 75 BARS standard
- 300 m³/h flow rate;
- Discharge head up to 20 m;
- Operating temperatures up to +200°C;
- Electric motor power: from 0.25kW up to 315kW;
- Maximum engine speed: up to 3500 rpm;
- Weight of the pump: from 90 to 250 kg;

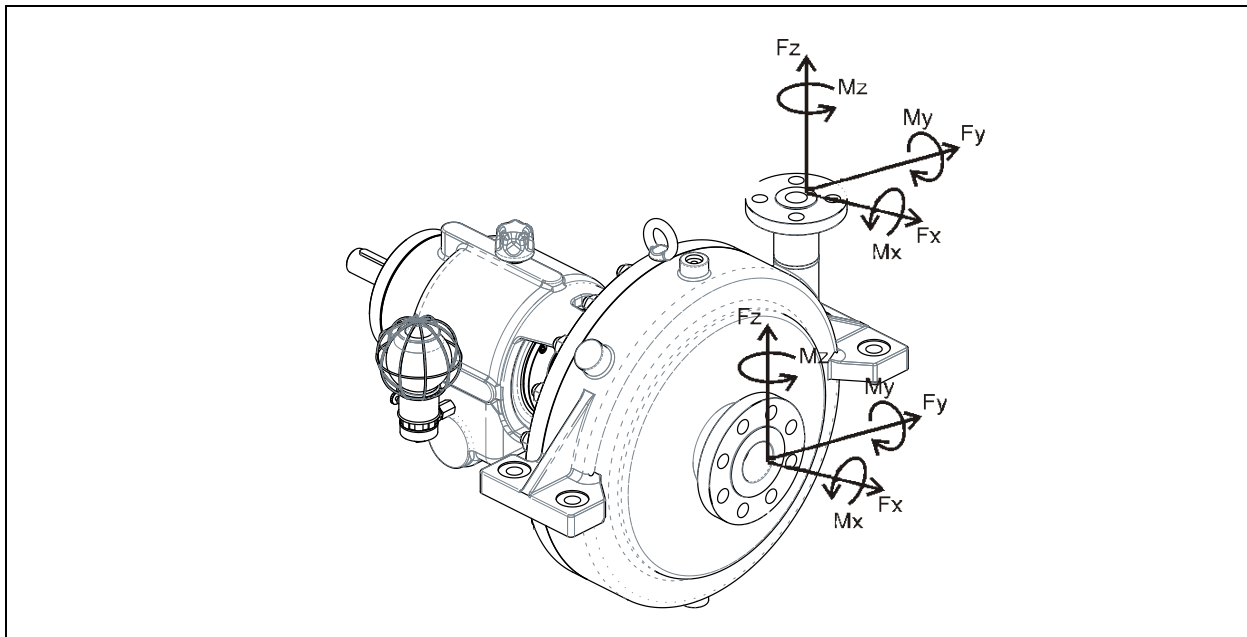
Features of electric motors:	network frequency 50 Hz	network frequency 60 Hz
2 pins	2900 rpm	3500 rpm
4 pins	1450 rpm	1750 rpm

WARNING



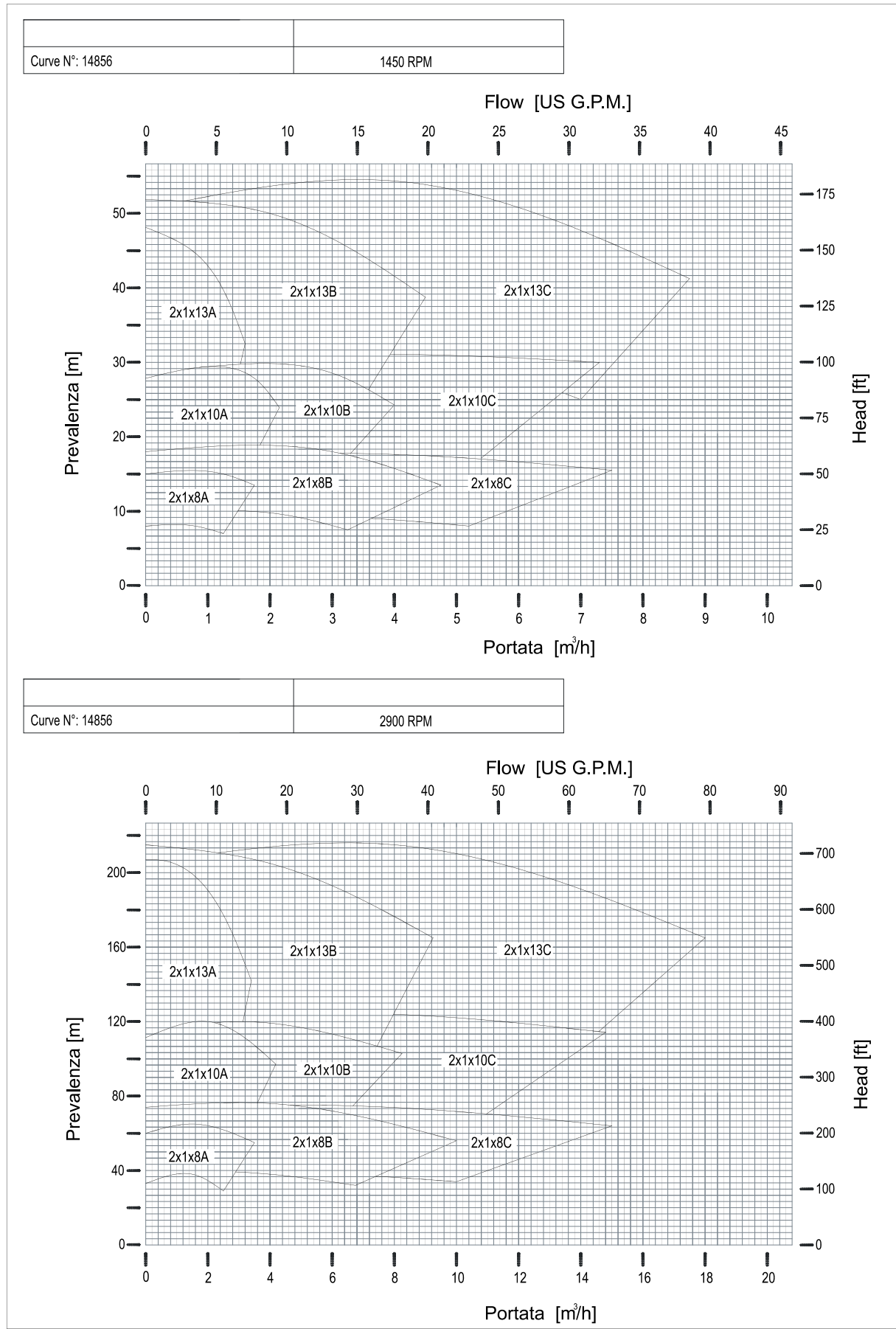
- **WARNING:** If the pump is driven by inverter, keep it within recommended rotation limits..

7. PERMISSIBLE LOADS ON FLANGES

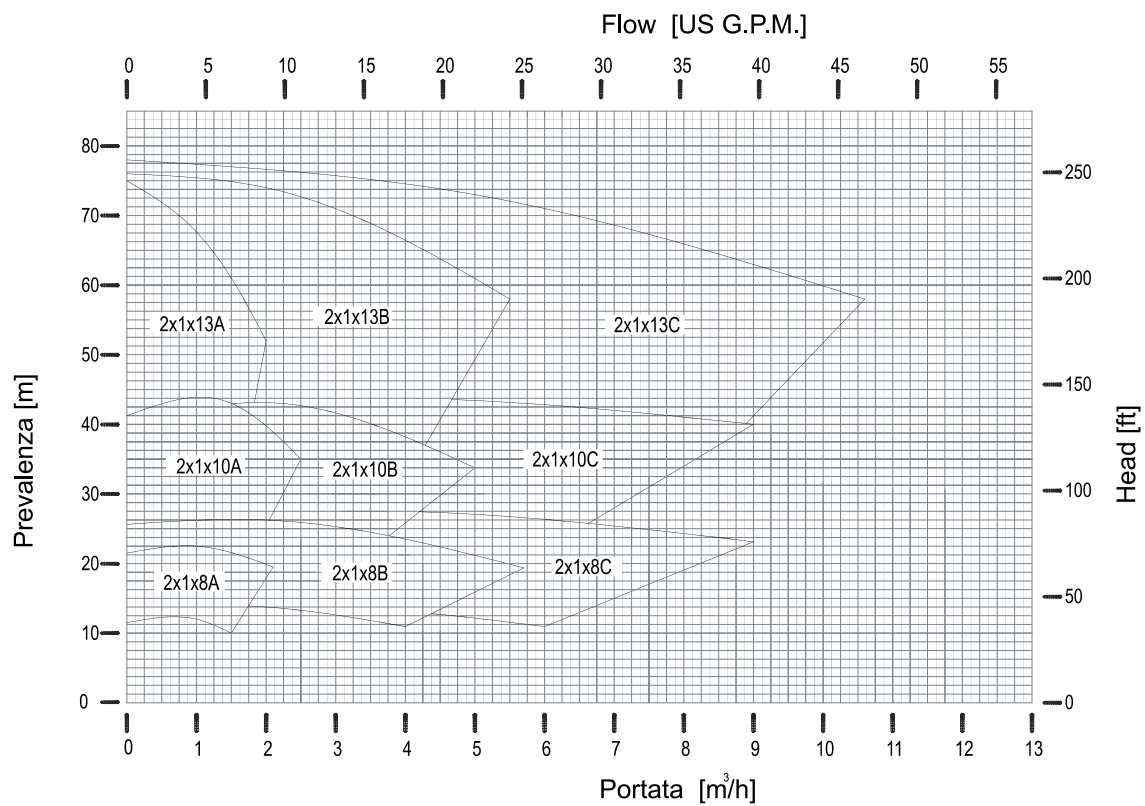


PUMP SIZE	Fx; N		Fy; N		Fz; N		Fr; N		Mx; Nm		My; Nm		Mz; Nm		Mr; Nm	
	Suct. port	Disc. port	Suct. port	Disc. port	Suct. port	Disc. port	Suct. port	Disc. port	Suct. port	Disc. port	Suct. port	Disc. port	Suct. port	Disc. port	Suct. port	Disc. port
2x1x8	890	710	710	580	580	890	1280	1280	460	460	230	230	350	350	620	620
2x1x10	890	710	710	580	580	890	1280	1280	460	460	230	230	350	350	620	620
2x1x13	890	710	710	580	580	890	1280	1280	460	460	230	230	350	350	620	620

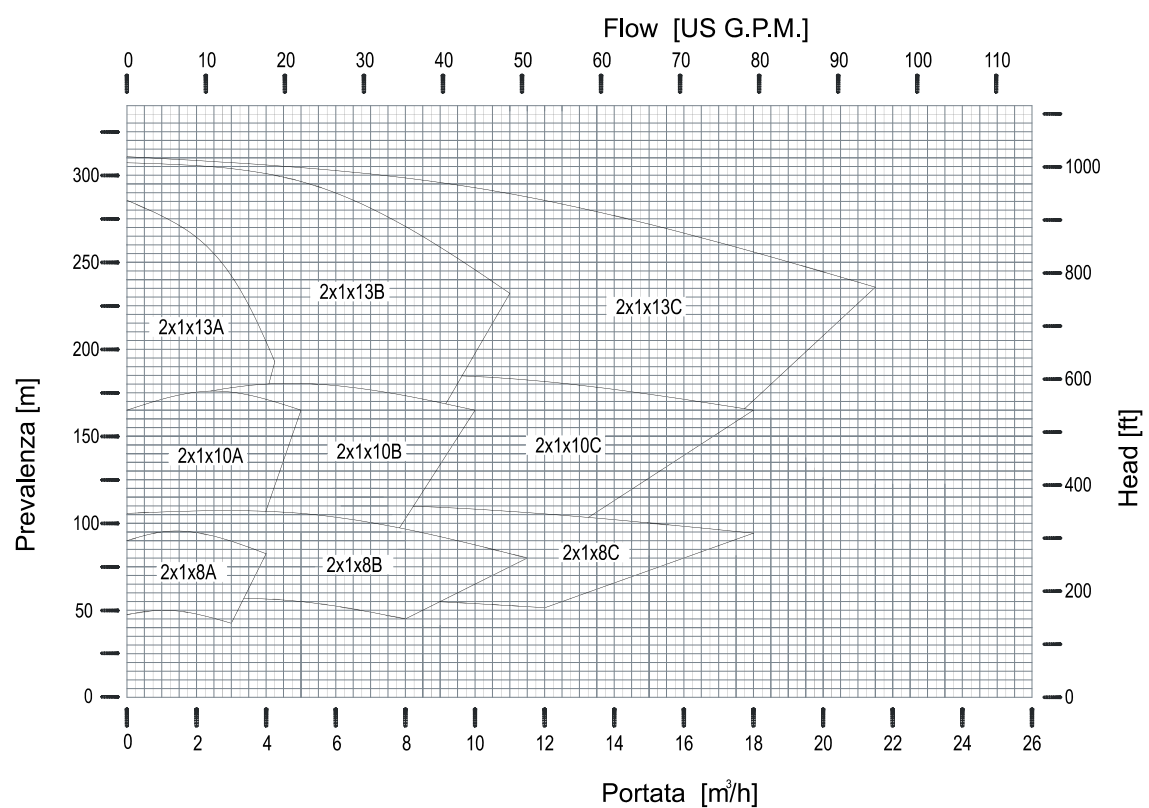
8. CN SEAL-M OPERATING LIMITS AND PERFORMANCE



Curve N°: 14857	1750 RPM
-----------------	----------

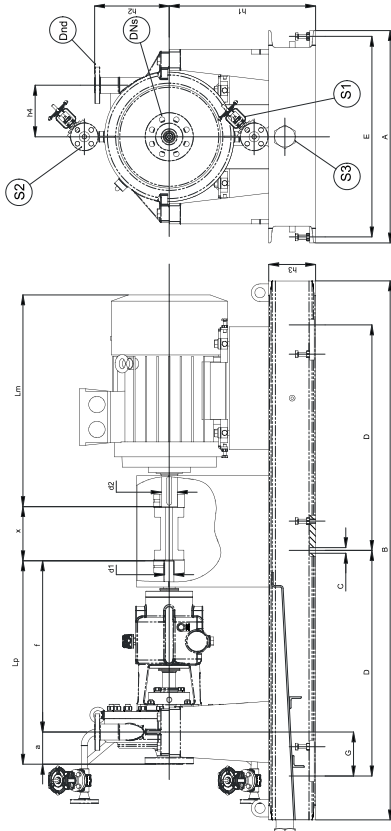


Curve N°: 14857	3500 RPM
-----------------	----------



9. OVERALL DIMENSIONS

MOTOR MOTORE	PM	Weight	DIMENSIONS										IEC	Weight										
			71	18	23	35	53	62	99	143	180	200												
		d2	14	280	19	335	24	445	28	460	38	550	42	648	723	723	209	304	336	250	960	75-65	280	517



pump model modello pompa	Baseplate type / Tipo basamento									
	B1	B1	B1	B1	B1	B1	B1	B1	B1	B2
2x1x8A	B1	B1	B1	B1	B1	B1	B1	B1	B1	B2
2x1x8B	B1	B1	B1	B1	B1	B1	B1	B1	B1	B2
2x1x8C		B1	B1	B1	B1	B1	B1	B1	B1	B2
2x1x10A		B3	B3	B3	B3	B3	B3	B3	B3	B4
2x1x10B		B3	B3	B3	B3	B3	B3	B3	B3	B4
2x1x10C		B3	B3	B3	B3	B3	B3	B3	B3	B4
2x1x13A										B4
2x1x13B										B4
2x1x13C										B4

pump model modello pompa	Flanges		a	f	x	Lp	d1	h2	h4
	Dns	Dnd							
2x1x8A	2"	1"	110	514	180	624	24	200	107
2x1x8B	2"	1"	110	514	180	624	24	200	107
2x1x8C	2"	1"	110	514	180	624	24	200	107
2x1x10A	2"	1"	110	585	180	695	32	220	134
2x1x10B	2"	1"	110	585	180	695	32	220	134
2x1x10C	2"	1"	110	585	180	695	32	220	134
2x1x13A	2"	1"	110	585	180	695	32	255	176
2x1x13B	2"	1"	110	585	180	695	32	255	176
2x1x13C	2"	1"	110	585	180	695	32	255	176

Baseplate dimension / Dimensioni basamento										Type Tipo	h1	h3	C	B	D	G	E	A	Weight Peso[kg]		
																				*base plate plattina	
B1	500	160	19	1535	615	150	535	610	3												
B2	500	160	19	1840	770	150	535	610	3												
B3	500	160	19	1535	615	150	685	760	3												
B4	500	160	19	1840	770	150	685	760	3												
B5	500	160	19	2145	615	150	685	760	4												

Monitoring devices and interface				sistemi di monitoraggio e connessioni			
tipo / type	item	notes	size				
Drain connection	S1	standard	1/2" RF#300				
Vent connection	S2	standard	1/2" RF#300				
baseplate draining	S4	standard	2"				

10. NOISE EMISSIONS AND VIBRATIONS

The noise level of a pump depends mainly on its operating conditions. The operating conditions of the pump during measurements are: pump coupled to an electric motor on test bench with fluids pumping. The A-weighted sound pressure level measured in front and at the side of the pump is below 85 dB(a), measured at a metre away.

11. IONIZING RADIATION

The pump does not emit any type of ionizing radiation that may cause harm to people.

12. CHECKING UPON PUMP DELIVERY, STORAGE

All *M PUMPS* are tested before shipping and carefully packed for transport: upon receipt of the pump, make sure it has not been damaged during transport. If there are any problems, contact the carrier immediately and inform *M PUMPS* about the accident occurred.

So that the pump is preserved over time in the best way possible, we recommend storing it away from the sun, from weathering and dust, when it is not immediately installed or not used for long periods.

The closing plugs of the input and output connections of the fluid should not be removed until installation. If supplied with motor, please also apply the storage instructions provided by its manufacturer himself.

The maximum excursion of permissible temperature during storage, preservation and use must be between -15 and +40°C with humidity between 10 and 90%.

13. TRANSPORT AND HANDLING

It is advisable to perform a preliminary check of the pump at the time of delivery to detect and report any damage incurred during transport and handling. In case of damage you should not perform any operation, just contact *M PUMPS*.

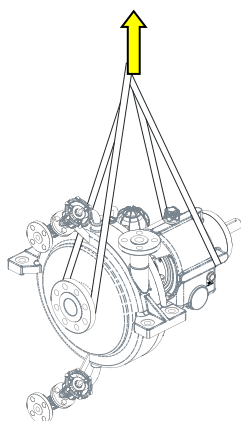
The precautions to be taken to ensure the stability of the pump concern the possible sliding and tilting caused by handling and transport, which must be prevented by fixing with ropes the pump body to the body of the transport mean it is loaded on.

The pump or electro-pump unit are too heavy to be moved manually.

During the move, with the pump positioned on a pallet, open the forks at their maximum and perform the loading / unloading.

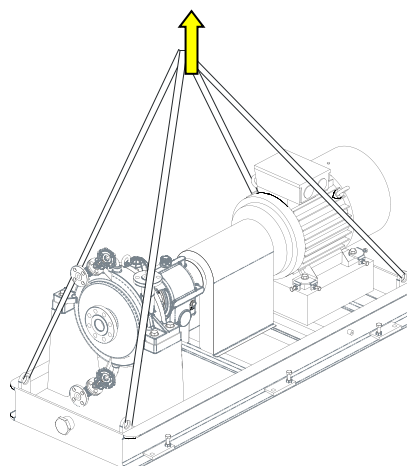
The pump can be raised as indicated in the figure of a stable lifting:

Bare shaft pump, without motor



Centre of gravity about in the middle

Bare shaft pump, with motor



Centre of gravity about in the middle

These operations must be performed by trained personnel who are informed on the hazards involved.

PROHIBITION



- It is forbidden to lift the pump using as anchor points structures other than those specially created and reported.
- It is not possible to lift an electro-pump unit using the lifting eyebolt of an electric motor.
- During the early lifting stages all the surrounding area is to be considered a danger zone, and staff not in charge of such operations must be evacuated.

There is the possibility of transporting and handling the pump slinging it using points specifically designed to this end: you must ensure that shackles and chains or straps are suitable to withstand the weight of the pump (described in "TECHNICAL DATA" paragraph).

14. ASSEMBLY, INSTALLATION, CONNECTIONS, COMMISSIONING AND ADJUSTMENTS

Assembly

Install the pump on a solid basis as close as possible to the liquid to be pumped, under its level, in such a position so as to make easier the maintenance and inspection operations

Do not allow the pump to take sharp shots as this may damage the magnets of the internal and external rotor or the silicon carbide supports.

Make sure that the heated air coming from other units will not badly affect the environment of the pump; the ambient temperature should not exceed 40°C, for higher temperatures please contact your *M PUMPS distributor*; also ensure the free circulation of cooling air for at least a quarter the diameter of the motor, as both the motor and the pump must be able to dissipate the heat by convection with the ambient air. Insufficient cooling could lead to high surface temperatures of the bearing housing, insufficient lubrication and premature breakage of the bearings. It is useful to monitor their surface temperature.

It is always the responsibility of the operator to maintain limited the coolant temperature, so that not to overheat the pump: switch off the pump in case of abnormal pressure fluctuations and flow decreases.

WARNING

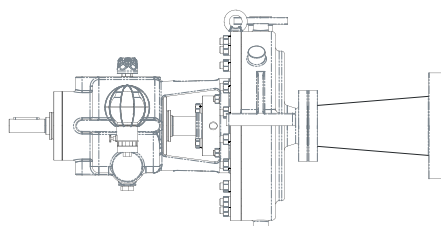


- Normally you have to mount the pump in horizontal position. If mounted inclined or vertical, the pump, or better to say the suction inlet, must be placed in the lower part. Leave a space of at least 50 cm between the pump and any walls or pipes;
- The liquid being pumped can reach high temperatures: from 60°C it is necessary to install shielding to prevent contact with hot components of the pump;
- Connect to the grounding system the whole pump body, to avoid the build-up of static electricity;
- If the pumped liquid can be dangerous to people and the environment, the user must take steps for a simple and quick remedy in case of leakages due to breakages/replacement/maintenance of the pump.

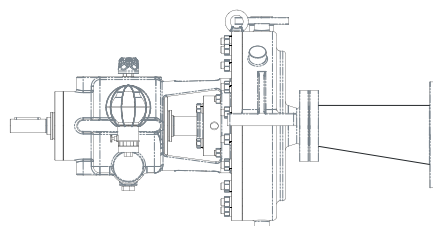
Connection of suction and feeding pump

For a correct assembly aimed at optimum use of the pump, you must apply the following requirements:

- The pipes must be supported and kept in line regardless of the pump, up to its connections, so as not to burden on it;
- The connections must not be subjected to stresses during operation;
- The suction piping must be built with the fewest restrictions possible, in such a way as to have the greatest NPSH available;
- The length of the pipes, in particular that of the suction pipe, must be minimized;
- The pipe must be fitted in such a way so that it is impossible the formation of air pockets; if this is not possible, it must be provided the possibility of bleeding the air from the highest point;
- During suction only use full flow section valves;



NO



YES

- If the suction pipe is larger than the suction flange, you must use an eccentric reductions towards the suction flange, in order to prevent the formation of air pockets and vortices;
- If there is a possibility that the maximum operating pressure can be overcome, for example due to excessive intake pressure, it is necessary to take appropriate measures by incorporating a safety valve in the pipeline;
- Avoid the use of quick-closing valves, since sudden pressure changes cause water hammering, very damaging for both the pump and pipes;
- Be sure, before installing the pump, that the suction line is clean and/or provided with a filter to protect the impeller and supports from damage caused by debris or other foreign particles, especially at system commissioning.

Electric connections

DANGER



The pump is **supplied with or without electrical motor: only qualified personnel** must make the mechanical connection of the pump to the motor (for models without motor) and the electrical connections of the motor to the electrical system. Carefully read the instructions on the manual provided by the manufacturer of the motor before carrying out the installation.

Ensure that it is not possible to operate the motor during maintenance work to the electric pump unit.

Checks for proper operation

We recommend the installation of a **pressure gauge** in both the suction and delivery pipes to allow the operator to easily check the correct operation of the pump in relation to the required operating point: in the event of cavitation or other malfunction, evident pressure fluctuations occur.

Check the differential pressure of the pump between the suction and delivery connections to make sure it works at the operating point expected.

Check whether the absolute suction pressure is not so low so as to cause cavitation in the pump.

WARNING



The absolute pressure at pump suction (expressed in metres) must overcome by at least $0,5 \div 1$ m, the vapour pressure of the pumped liquid, in order to avoid the risk of cavitation.

Cavitation should always be avoided as very dangerous for the structure of the pump.

Commissioning and training of staff

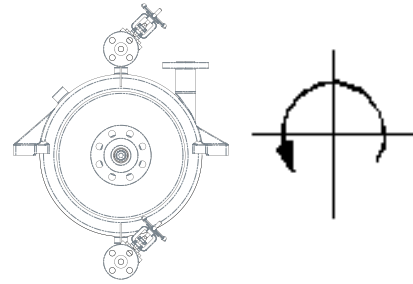
- In relation to the proper commissioning of the pump and checks to be carried out before, during and after it, refer to APPENDIX B, which must be duly completed and returned to M PUMPS, to activate the warranty covering the product.

Pumps by *M PUMPS* of the CPE SEAL-M series **are not reversible** therefore the direction of rotation cannot be reversed.

The correct **direction of rotation is counter-clockwise**: if you stand in front of the pump body, an arrow indicates the correct direction of rotation; reversing the direction of rotation may damage the pump.

To check the direction of rotation, give power and immediately cut-it off to the motor, and then observe the direction of rotation.

DIRECTION OF ROTATION:



Make sure that the rotating parts, such as the flexible coupling or other related components, are always protected when the pump is running.

Operators who use the pump must have carefully read this use and maintenance manual, as well as being qualified to fully understand the features of the device and the ability to identify its problems, if any.

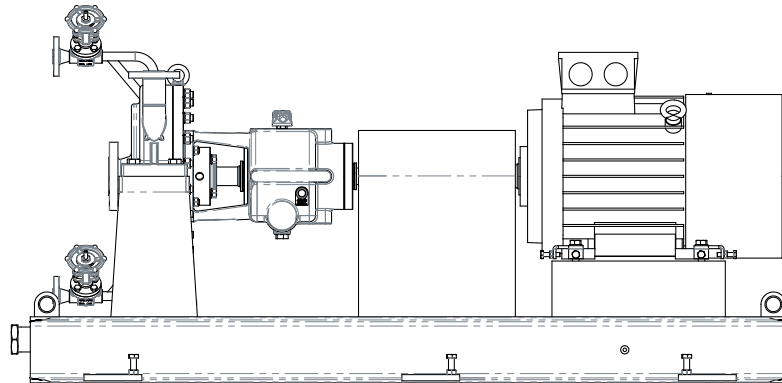
By carrying out the operations indicated in the previous paragraph and all of the checks indicated on the maintenance register, the pump is ready for use.

Self-priming and not self-priming pumps

The CPE SEAL-M series pumps are not self-priming: make sure that the pump is filled with liquid and, if necessary, vented before start-up; in the event that the suction height is negative, with respect to the delivery, dry operation must be avoided.

Coupling of the pump to the motor

If the pump and the electric motor are to be coupled, observe the sequence of the following steps to proceed with the installation:



- Fit flush the two elastic coupling halves on the pump shaft and on that of the motor.
- Place the pump on the base, by placing shims (about 2-5 mm) under the feet of the body and the foot of the oil case, then secure it with the screws provided.
- Place the electric motor by adjusting the shims under the feet, so that the two shafts (pump and motor) are coaxial.
- Leave a space of 3 mm between the two elastic coupling halves, then stop the motor with the screws provided.

Features and installation of the electric pump unit coming already assembled

The shafts of the pump and motor have already been properly adjusted and aligned as an extension of one on the other.

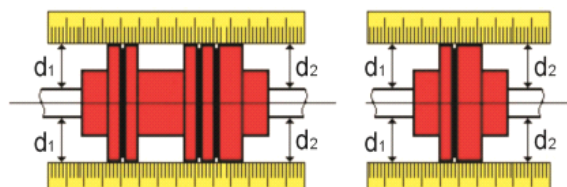
For installation in the plant it is just necessary to respect the sequence of operations:

- The base must be placed on a horizontal plane, also using shims;
- Tighten the nuts on the fixing bolts;

- Check the alignment of the shafts of the pump and the electric motor and repeat the alignment operations if necessary (described in "Alignment of the coupling" paragraph).

Alignment of the coupling

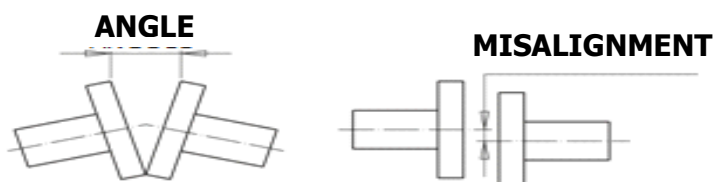
- Place a straight edge on the coupling. Insert or remove all shims necessary to bring the electric motor at the correct height, so that the bottom part of the straight edge rests on both halves of the coupling for the entire length;
- Repeat the same check on both sides of the coupling, at the height of the shaft. Rotate the shaft of the electric motor so that the bottom part of the straight edge touches both halves of the coupling for the entire length;
- Re-assembly the guard.



Alignment and coupling tolerances

The maximum permitted tolerances for the alignment of the two halves of the coupling, to be checked with the comparator, are:

TYPE OF COUPLING	MISALIGNMENT	ANGLE
Short flexible joints (3000 rpm)	0.05mm	0.04mm for joints with 100mm diameter.
Elastic joints with spacer (3000 rpm)	0.07mm for 100mm spacers.	0.04mm for joints with 100mm diameter.



15. INTENDED USE OF THE PUMP. INCORRECT USE. OPERATION DESCRIPTION. PERSONAL PROTECTIVE EQUIPMENT DURING USE.

Intended use of the machine

The pump works properly if the parameters indicated in the "TECHNICAL SPECIFICATIONS" paragraph are fully complied with:

Instructions for reasonably foreseeable proper use

Before starting to work, you must ensure that:

- All maintenance operations have been properly carried out according to time intervals set by *M PUMPS* ;
- No parts of the pump are damaged;
- All warning stickers and safety nameplates are present, in good condition and the emergency stop buttons are fully operational (run a test).

WARNING


At start-up, immediately check the pressure gauge at the delivery: if the delivery pressure does not quickly reach the rated value, stop the pump and try re-starting. Check the pump and the pipes to make sure there is no leakage of fluid from the system. A high noise level of the pump is a symptom of a malfunctioning that will originate a failure in the short term. A noise to very low frequency and with rumble may indicate the cavitation condition; excessive noise of the motor can be due to wear of a bearing.

Unintended use

While maintaining the operating conditions specified in "TECHNICAL SPECIFICATIONS" here are the ways in which the pump must not be used. To prevent damage to the pump, it is forbidden to use it in the following conditions:

PROHIBITION


- Start the pump dry: the pump body must be filled with liquid.
- Run the pump dry for more than one minute;
- Run the pump with the suction valve and/or delivery valve closed: the heat generated by the impeller, by magnetic coupling and supports will bring to boil the liquid, which will cause cavitation / vibration of the pump, damaging the impeller and causing the supports to collapse.
- The pump flow must never be adjusted by means of the valve located in the suction pipe, which must always be kept fully open;
- Start and/or operate the pump if leakages are noticed;
- Changing the operating conditions of the pump without consulting the *M PUMPS* technical office;
- Loosen the connections of the pump while it is under pressure;
- Try to clean the pump while it is running;
- Run the pump in the opposite direction to that indicated in the pump body;
- Run the pump at temperatures and pressures exceeding the rated ones;
- Pump liquids containing ferromagnetic particles of any size, or substances that can wear away or chemically attack the internal parts of the pump;
- Remove the safety devices and guards when the pump is running;
- Take action on moving parts;
- Take action on electrical parts installed without first cutting off the power supply, do not alter the safety devices installed, do not operate repeatedly the command buttons.

DANGER


It is deemed incorrect any use of the pump other than that indicated in the paragraph in "Instructions for reasonably foreseeable proper use".
M PUMPS disclaims any liability for damage to property and injury to persons resulting from uses for which the pump has not been specifically designed and built.

16. RESIDUAL RISKS AND PROTECTIVE MEASURES TO BE TAKEN
Descriptions of remaining residual risks

Although all protective measures incorporated into the design of the pump have been taken, the main dangers associated with its use are the following:

- Danger of projection of sketches of fluids which may be caustic or burning, as a result of improper installation and sudden failure of the pump body and hydraulic connections;
- Danger of cuts to hands for burrs on the pump body;
- Explosion of the pump for the formation of explosive mixture inside the body of the device resulting from its improper use.

Protective measures to be taken by the user and instructions
PROHIBITION

It is strictly forbidden to remove or tamper with the safety devices. Before using the



pump check the correct fitting of mechanical guards. Any tampering will void the warranty and the liability of *M PUMPS* towards the users of the device.

Only maintainers may perform maintenance operations that affect the safety devices.

Personal Protection Equipment to be worn

The protective measures that must be taken during this phase are: the adoption of anti-acid and anti-static overalls, anti-splash goggles, gloves protecting from mechanical, chemical agents, and safety shoes.

Avoid the use of accessories (necklaces, bracelets, etc..) and clothing undone, torn or dangling that could get caught in moving parts of the pump.

17. OPERATING LIMITS, RESIDUAL RISKS STILL REMAINING DESPITE THE SAFETY MEASURES TAKEN

The dangers that have not been deleted with the safety measures taken on the pump can be reduced/eliminated if operators apply such management measures as a result of the fact of having to:

- Keep all safety instructions and all the nameplates and labels intact and replace them when necessary, periodically verifying their good condition;
- Do not take substances that can alter their physical or mental capacity (alcohol, medicines, drugs, etc.);
- Do not use, without permission, spare parts not identical to the originals ones or components not approved by *M PUMPS* ;
- Do not perform any changes or structural intervention without previous specific approval by *M PUMPS* ;
- Following to shocks suffered accidentally by the pump, carry out a visual inspection to ascertain the absence of any damage, if required send the pump to *M PUMPS* ;
- Check, after a long downtime period, that the pump is still intact and that the parts subject to wear and tear and in good conditions and properly operating. If necessary replace with spare parts identical to the original ones.

WARNING



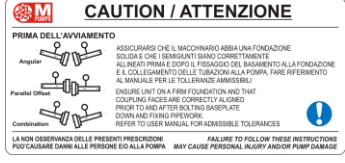



Each misuse or negligence until now listed may cause:

- Immediate cancellation of technical assistance by *M PUMPS* ;
- Disclaimer of *M PUMPS* for damages to properties, animals or people.

Safety instructions mounted on the pump

The safety and warning signs mounted on the pump must be complied to, some of them must also be replaced in case they turn out to be illegible, and are the following:

Warning No.	Description of warning signs applied	Symbol/indication	Quantity	Notes
1.	Marking nameplate <i>M PUMPS</i> .	Reported in paragraph "IDENTIFICATION NAMEPLATE"	1	Restore if unreadable
2.	Label for "follow the instructions on the manual"		1	/
3.	Label with "fill with oil before starting"		1	/

Warning No.	Description of warning signs applied	Symbol/indication	Quantity	Notes
4.	Label with "check for proper motor-pump alignment, before start-up"		1	/
5.	Label on direction of rotation and indication on not to start when dry.		1	Restore if unreadable
6.	Hydrotest label.		1	/
7.	Quality control label Assembly.		1	Internal use

18. INSTRUCTIONS AND PROCEDURES FOR TRAINING OF STAFF AND FOR EMERGENCY SITUATIONS

The operators responsible for the various service life stages of the pump must be:

- **Maintainers:** Personnel educated and trained in the proper handling of goods with the use of tools and lifting equipment;
- **Pipes and electrical connections installers:** qualified and trained staff to work on live electrical systems, personnel with experience in the field of hydraulic installations;
- **Users:** Professional staff trained in the instructions for use of this pump.

In case of emergency:

- Tell people who is close to specific dangerous situation, also gesturing with the arms;
- Stop the pump by pressing the nearest emergency stop button;

Reset method

To resume normal operation, you must eliminate all the causes that led to the emergency situation, possibly by repairing or replacing parts that have suffered damage.

WARNING



After the activation of the protection devices, it is necessary to find the cause triggering them, before resuming the operations.

Fire-fighting equipment to be used:

In case of fire involving the pump, you can use water or foam liquid only after having cut-off the power

supply, or use a fire extinguisher with extinguishing agent, like powder. Do not use CO₂ because, being launched at -79°C, it may react violently with hot parts.

Emission/Dispersion of harmful substances:

The fluid contained in the system could be released into the atmosphere as a result of an intervention or a breakage of the pump.

19. MALFUNCTIONING, FAILURE, FAULT, ACCIDENT. MOST FREQUENT PROBLEMS: CAUSES AND REMEDIES

Malfunction

There are no components of the pump which cause malfunctions able to restrict or cause unsafe operations. At paragraph "The most frequent Problems: causes and remedies" this section is discussed in a more thoroughly way.

Failure

In case of failure of mechanical parts you must immediately restore initial safety conditions, by replacing or repairing the parts that have deficiencies.

In case of failure of the electric pump unit proceed as follows:

- Cut the power supply to the pump motor or switch off the combustion engine;
- Close the suction and delivery valves;
- Find the cause of the failure by checking "The Most frequent Problems: problem, causes, remedies, residual risks".

The failures of a pumping system can be attributed to:

- A failure of the pump;
- A failure or defect of the pipes;
- A failure due to installation or installation or commissioning not properly carried out;
- Incorrect choice of the pump.

Failure

Under conditions of pump failure tell the staff in its vicinity about the problem occurred.

Injury

In the event of an injury, report the emergency situation to the Manager of the plant, in order to secure the plant to reach with the emergency team the place where the accident occurred.

The most frequent problems: problems, causes, remedies, residual risks

INADEQUATE FLOW RATE	
Causes	Remedies/actions to be taken
The prevalence required exceeds that provided for the pump.	Reduce total prevalence of the system if possible. Check that the delivery valve is fully open. Replace the pump with a larger one. Ask for advice at your distributor by <i>M PUMPS</i> .

<p>The pump rotates in the opposite direction.</p>	<p>Check the direction of rotation. Refer to section 3.5 of this manual.</p>
<p>Air or steam trapped in the suction pipe.</p>	<p>Check for trapped air or steam. Refer to section 3.4 of this manual.</p>
<p>The liquid contains air or steam. The liquid produces foam.</p>	<p>Check the presence of vortices in the suction line. Insert the baffles in the fuel tank to prevent the formation of vortices. Mount a tank having sufficient capacity, in the suction line, to allow the entrained gas to separate from the liquid.</p>
<p>Suction pressure insufficient, with the generation of cavitation and loss of efficiency.</p>	<p>Decrease the negative height of suction, increase the suction head. Check that the suction is not obstructed or there are no blockages. Reduce the temperature of the liquid Increase the diameter of the suction pipes. Decrease the length of the suction pipes. Fully open the suction valve. Check the viscosity of the liquid, refer to the "TECHNICAL DATA" in this manual, raise the temperature of the liquid if necessary.</p>
<p>Wear suction elements, pressing devices, or the impeller.</p>	<p>Check the condition of the internal parts. Replace if worn, refer to Chapter 10 of this manual.</p>
<p>The liquid temperature is close to the boiling point.</p>	<p>Reduce the temperature of the liquid</p>
<p>NO FLOW RATE</p>	
<p>Causes</p>	<p>Remedies/actions to be taken</p>
<p>The pump is disconnected.</p>	<p>Re-connect the pump. Refer to section 3.5.1 of this manual. Verify the presence of air leaks in the suction line.</p>
<p>Suction line blocked.</p>	<p>Make sure that there are no blind, clogged pipes, or closed valves.</p>
<p>The magnetic coupling decouples</p>	<p>Contact your <i>M PUMPS</i> distributor.</p>

The engine has stopped	Check the power supply to the engine. Carry out a visual check of the engine.
EXCESSIVE FLOW RATE	
Causes	Remedies/actions to be taken
The prevalence required is lower than that provided by the pump.	Reduce the speed of rotation, if possible; partially close the delivery valve.
ENGINE OVERHEATING AND STOP	
Excessive density of the liquid being pumped.	If possible, reduce the speed of the electric motor. Contact your <i>M PUMPS</i> distributor.
The pump has seized or is about to seize.	Check the free rotation of the impeller. Check for any internal obstructions. If the pump was recently serviced, recheck the accuracy of indoor clearances.
Motor and pump are misaligned.	Refer to section 3.8 of this manual.
The motor bearings are damaged or worn.	Replace the motor bearings, investigate the causes of the breakage.
Down-sized engine	Fit a more powerful engine (check in advance with your <i>M PUMPS</i> distributor).
Motor overload threshold set incorrectly.	Check the safety settings of the engine.
The protective device against dry running of the motor (where any) has failed or has been set incorrectly.	Check flow rate decreases in liquid delivered or sucked.
OPERATION WITH ABNORMAL NOISE AND/OR VIBRATIONS	
Causes	Remedies /actions to be taken
Insufficient suction pressure, causing cavitation, insufficient lubrication of supports (with mechanical damage if the condition persists.)	Refer to sections 3.4, 3.5, 4.1, 4.2, 4.3 of this manual.
IMMEDIATELY STOP THE PUMP!	
Wear, erosion and immediate damage to the impeller and internal supports.	Check inside the pump the presence of damage or obstructions.
Wear the motor-pump coupling	Replace the coupling and proceed realigning both pump and motor.

Wear of oil case bearings or of the electric motor.	Check bearings and replace if necessary.
Feet of the engine or base not safely fastened.	Make sure that the motor and base are firmly anchored to the foundations and do not generate excessive vibration.
Misalignment or improper anchoring of pipes.	Check correct alignment of piping and supports, refer to section 3.2 of this manual.
The pump was started while still rotating in the opposite direction, due to a previous start-up.	Immediately stop the pump and fully drain all liquid from the delivery line before restarting.
OVERHEATING OF EXTERNAL SUPPORTS (bare shaft versions)	
Lack of oil or wrong type of oil in the oil case.	Check the oil level: top up or drain and replace if necessary. Replace the bearings.
Excessive temperature of the oil in its case.	Top up the oil case with the oil specified in paragraph 9.2 to restore the correct operating temperature.

20. ROUTINE AND UNSCHEDULED MAINTENANCE

The maintenance and proper use are essential factors to ensure the functionality and durability of the pump. It is the operator's responsibility to ensure that maintenance, inspection and assembly are carried out by authorized and qualified specialists who have assimilated the concepts contained in this document. All repairs must be performed when the machine is stopped, It is essential to follow the procedure for shutting down the machine, as described in the section "Shutting down and emptying of the fluid in the pump."

Cleaning the components and magnet

To degrease all surfaces of the joints and the centring surfaces, possibly use methyl alcohol. Preferably use cellulose cloths

It is possible to use solvents on the magnet; any dirt can be removed from the magnets also through gummed paper, it is recommended not to leave absolutely any metal scrap attached to the magnet.

Do not strike or exert pressure on the magnet during its handling, to avoid damage to it.

Preventive periodic maintenance

Instructions are given for maintenance operations whose execution does not require specific skills, which can then be made directly by the users of the pump. Are scheduled operations and checks, on issues deemed significant for technical, operational purposed and for personnel safety, established on the basis of the experience gained from *M PUMPS* over time.

If the hydraulic pump is washed with pressurised jet, prevent the inlet of water into the motor terminal board.

DANGER Do not throw water on the hot pump components: the latter can break out in case of
--



sudden cooling generating projection of metallic material and fluid leakage under hot pressure and then dangerous to health.
Do not give shots and put pressure on supports, it would cause the formation of micro-cracks which can cause serious damage.

No.	<u>Check/Operation description</u> Procedure	<u>Warnings and protective measures to be taken to perform maintenance properly and safely</u>	<u>Time Range</u>
1	Oil case	Top up the oil until the centre-line of the indicator cap.	Weekly.
2	Internal supports	Check the state of bushings, jackets and releaser, replace if worn, re-assemble using new gaskets.	Change the oil every 5000 working hours. After 2500 working hours, check for premature wear, then every 5000 working hours or every year.
3	Wear ring, suction-pressing elements and star impellers.	Check the wearing conditions of the ring, of suction and pressing elements and star impeller, consult the table of clearances.	After 2500 working hours, check for premature wear, then every 5000 working hours or every year.
4	Bearings of the electric motor	Unless other specifications, electric motor bearings are greased for life, so there a maintenance schedule is not required, in any case we recommend to check the condition of the bearings and replace them when worn.	

TABLE OF RECOMMENDED OIL: (for ambient temperatures above 15°C, according to ISO VG 68 classification)



WARNING

BP HPL 68
CHEVRON EP industrial oil 68
Texaco Rando Oil HDC 68
TOTAL Azolla 68
Shell Tellus 68
Mobil DTE Heavy Medium ISO 68
STATOIL HYDRAWAY HV 68
Esso Teresso 68
AGIP OSO 68

In **Appendix A** is a list of maintenance and periodic checks to be completed each time you perform this type of operations.

Shut-down and emptying of the fluid in the pump

DANGER



The pumps included in this series are used to pump liquids that are, generally, harmful to health, thus use suitable protective equipment before starting draining, disassembly and maintenance operations.

- Close the delivery valve, making sure that the pump runs with the valve closed for no more than a few seconds.
- Stop the pump.
- Turn off the flushing and / or cooling / heating systems of liquid in a time appropriate, depending on the ongoing .

Before proceeding with the disassembly, it is necessary to empty the pump according to the following steps:

- Close the valves in the suction pipe and in the cooling or rinsing pipe of the shaft sealing system;
- Remove the drain plug, this preserves the pump, in particular in cases where the ambient temperature may go below the freezing point of the liquid;
- At the end re-positions the drain plug.

If fluids hazardous for health are pumped, wear suitable personal protective equipment for accident prevention before coming into contact with the liquid.

Draining the oil contained in the pump

If the pump is designed with oil-lubricated bearings (versions with bare shaft):

- Remove the oil drain plug.
- Drain the oil collecting it without release into the environment;
- Re-position the oil drain plug.

If fluids hazardous for health are pumped, wear suitable personal protective equipment for accident prevention before coming into contact with the liquid.

Unscheduled maintenance

The unscheduled maintenance operations relate to activities that are outside of those normally programmable and executable; they require specific technical expertise by qualified staff and therefore it is recommended to contact *M PUMPS* . The address is in the header of each page of this manual.

DANGER



In case you need to disassemble the pump, it must be remembered that the liquid should be collected and disposed of in accordance with current environmental laws.
In the case in which the pump is to be sent to *M PUMPS* it must be reclaimed, and must not contain any trace of pumped liquids.

21. REPAIR AND SPARE PARTS

The pump must always be kept in optimal working conditions.

Most of the spare parts shall indicate clear and comprehensive references for their identification. It is important that the parts of the pump are replaced by similar parts, such that they can be considered of equivalent quality and safety: to order original spare parts, contact *M PUMPS* referring to the pump model, serial number, description of the component and the desired quantity.

When any elements with rust, cracks, etc... is detected, you must perform all replacements/repairs necessary to restore the safety operating conditions of the pump. For added safe, you should always ask for an opinion to *M PUMPS* before carrying out any operation.

The periodical maintenance stated in chapter "PERIODIC AND UNSCHEDULED MAINTENANCE" should be carried out.

Disassembly of the pump

In the event that the pump has pumped hot liquids, make sure it has cooled before disassembly. The pump could have pumped liquid hazardous to health: it is therefore necessary to wear personal protective

equipment for accident prevention.

The activities of disassembly and maintenance of the pump must be carried out in full compliance with current regulations. In particular the following spare parts affect the health and safety of operators acting on them:

WARNING



MAGNETIC



M PUMPS disclaims any liability for damage to things and people and will void the warranty if you install unsuitable components with non-equivalent quality.

The pumps built by *M PUMPS* contain extremely strong magnets. The use of tools and non-ferromagnetic work surfaces is highly recommended.

The Department in which you perform the maintenance must be clean and free of ferrous particles that can be attracted by magnets.

Pay attention to the strong magnetic attraction when you disassemble/reassemble the motor-outer magnet, the pump, because tools may fall or the magnet itself causing crushing and bruising of the fingers, as well as projection of high-velocity objects in the environment.

Disassembly of the pump

In the case of bare shaft system, with coupling and spacer, you can remove the internal assembly even without removing the electric motor.

Keeping in mind the instructions described in Chapter 9 "Periodic Preventive Maintenance", proceed disassembling as follows:

Re-assembly of the pump

To reassemble the pump, follow the instructions in reverse order.

Thoroughly clean each component before assembly, making sure that all parts are free from dirt, metallic particles, etc.

22. DECOMMISSIONING, SCRAPPING AND DISPOSAL OF MATERIALS

Decommissioning

In case of long downtime periods it is advisable to apply a few simple precautions in order to preserve the pump correctly.

Operate the pump with clean water (or other appropriate solvent compatible with the pump materials) for several minutes, in order to avoid the risk of internal precipitation or fouling.

Disassemble power/water supply systems and place the pump in a covered place, protected from weathering.

When starting-up after a long downtime period, strictly apply all indications for the commissioning described at the beginning of this manual.

WARNING



A good storage will save you from unpleasant drawbacks during re-commissioning. *M PUMPS* disclaims any liability for machines stored incorrectly. If you intend not to use this pump any more, it is recommended to make it inoperative.

Scrapping and disposal

The user must fulfil the law on environment protection and will have to deal with the disposal of materials and harmful substances of the pump.

It is also recommended to destroy the identification nameplates and any other document.


25. APPENDIX A - Register of maintenance and periodic checks of the pump

It contains a list of maintenance to be performed and the respective frequency, below is a table where you have to record the operations carried out.

Date of **first commissioning** of the pump (first use): _____

Basic maintenance operations to be carried out from the second year of use on:			
No.	<u>Check/Operation description</u> Procedure	Warnings and protective measures to be taken to perform maintenance properly and safely	Time Range
1	Oil case	Top up the oil until the centre-line of the indicator cap.	Weekly. Change the oil every 5000 working hours.
2	Internal supports	Check the state of bushings, jackets and releaser, replace if worn, re-assemble using new gaskets.	After 2500 working hours, check for premature wear, then every 5000 working hours or every year.
3	Wear of the ring, pressing elements and suction devices, star impellers.	Check the state of wear of the ring, of pressing and suction devices and of star impellers. Refer to the table of clearances.	After 2500 working hours, check for premature wear, then every 5000 working hours or every year.
4	Bearings of the electric motor	Unless other specifications, electric motor bearings are greased for life, so there a maintenance schedule is not required, in any case we recommend to check the condition of the bearings and replace them when worn.	

APPENDIX B – Startup check list

	PUMP SERIES CPE SEAL-M	
	- Do not destroying – do not modify -	Rev. N°00
		Date 21/02/2013
	STARTUP CHECK LIST	This document consists of 2 pages

Nr.	Description of activity	YES / ✓	NO / x
*UPON ARRIVING CHECKS:			
1	Check Pump Name Plate , Motor Name plate to tally with PO and Data Sheet		
2	Any Cracks or damages to Pump or motor during shipment or handling		
3	Check accessories if ordered to tally with PO		
4	Are Installation, Operation and Maintenance Manuals for Pump, Motor and Coupling supplied?		
5	Have you received the Pump Curve, GA Drawing, Pump Data Sheet, Motor Data Sheet and Wiring Diagram?		
6	Have you read through and understand the IOM manuals?		
*INSTALLATION CHECKS:			
1	Has the Pump's baseplate being properly level and firmly secured?		
2	Has the Pump and motor coupling being secured and aligned?		
3	Are Suction and Discharge Pipe line with Flexible Joints being Supported and Secured?		
4	Any undue Pipe loading onto Pump inlet/Outlet Nozzle due to Mis-alignment		
5	Is Suction Strainer being installed to protect the Pump?		
6	Are Suction and Discharge Pressure Gauge being installed before Pump's Inlet and Outlet?		
7	Is there any Check Valve being installed at Pump's discharge Outlet?		

8	Has the Power supplied for Electrical Motor being connected by qualified electrical personnel?		
9	Have the Pump Bearings been filled with recommended Lubricating Oil and to the stated level (For Long Coupled Pump)?		
10	Have the motor Bearings been greased if required?		
* PRE START-UP			
1	For High /Low Temperature Pumping application , has the pump been warmed up to required Temperature?		
2	Can the Pump shaft turns freely by hand?		
3	Fully Open the Suction Valve.		
4	Partially Open the Discharge.		
5	Ensure Suction line is Filled and the Pump been Primed of entrained Air.		
6	Jog Start the motor, Verify that the direction of rotation is correct.		
* AFTER START-UP			
1	Start the pump set and be sure that the discharge pressure is building up(stop the pump if discharge pressure is not building up in short time and check the possible causes		
2	Throttle or Set Discharge Valve to designed Duty Point. (Pressure and Flow Rate)		
3	Reading of Suction Pressure () Discharge Pressure () and Flow Rate ().		
4	Are the Suction and Discharge Pressure Gauge Stable?		
5	Check Pump bearing and motor bearing temperatures are stabilized below 82 deg C.		
6	Amperage reading does not exceed nameplate full load amps plus S.F.		

7	Checked no abnormal temperature and leakage.		
8	Checked no abnormal pump vibration and noise.		
9	Under Normal Condition, continuously run the pump under observation for one or two hours.		

COMMENTS/REMARKS:

INSTALLATION REFERENCE:

PROJECT:		CONTACT:	
CONTRACTOR:			
ADDRESS:			
PHONE NO:		FAX:	
PUMP MODEL NO:		SERIAL NR:	
MOTOR TYPE:		IMPELLER DIAMETER:	
START-UP BY:		FOLLOW UP REQD:	
DATE:		SIGNATURE:	

Please send this document, duly completed, to the e-mail: info@mpumps.it, or by FAX at: +39 0426 349126



M PUMPS S.R.L.

Via dell'Artigianato, 120 - 45015 Corbola (RO) – Italy Tel.: +39 0426

346304

Fax: +39 0426 349126

E-mail: info@mpumps.it